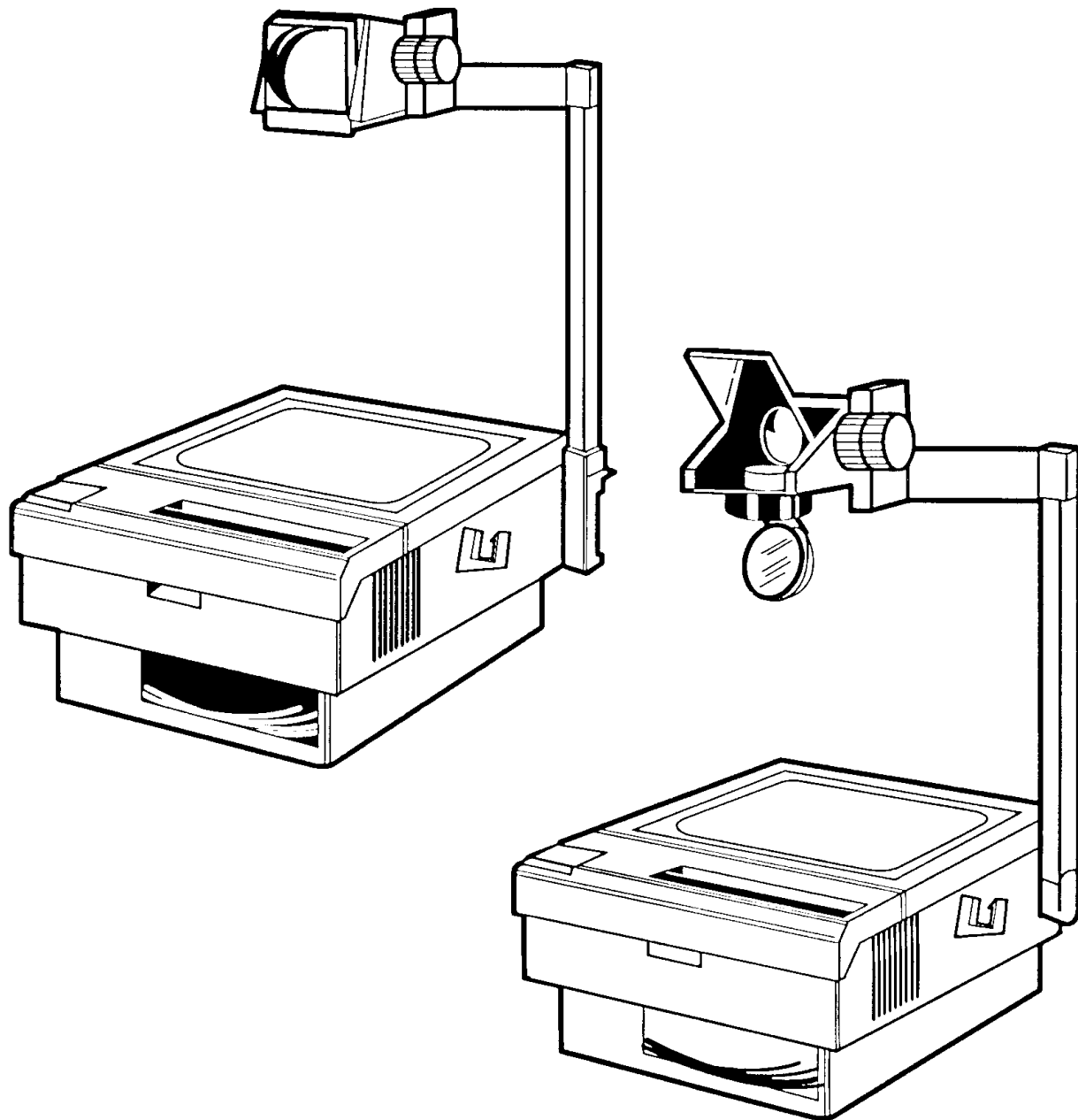


3M 900 Series Overhead Projectors

Illustrated Parts Breakdown



| | |
|---|----------|
| Introduction | i |
| Part Numbers | i |
| Locating and Identifying a Part | i |
| Machine Identification Plate | i |
| Ordering Parts | i |
| Section 1 SYSTEM OVERVIEW | 3 |
| Section 2 ARTICULATE (CLOSED) HEAD ASSEMBLIES | 4 |
| Section 3 OPEN HEAD ASSEMBLIES | 6 |
| Section 4 ARM AND FOCUS ASSEMBLY | 8 |
| Section 5 TOP COVER ASSEMBLY | 10 |
| Section 6 FRESNEL AND STAGE ASSEMBLY | 12 |
| Section 7 BASE ASSEMBLY | 13 |
| Section 8 LAMP HOUSING ASSEMBLY (SINGLE ENX LAMP - 905, 905D, 905W) ... | 15 |
| Section 9 LAMP HOUSING ASSEMBLY (DUAL ENX LAMP - 908, 910, 920, & DUAL FXL LAMP - 955) | 17 |
| Section 10 LAMP HOUSING ASSEMBLY (FNT SINGLE AND DUAL LAMP) | 21 |
| Section 11 ROLLER ATTACHMENT | 25 |
| Appendix A FIELD UPDATE KITS | 27 |

Introduction

This Illustrated Parts Breakdown (IPB) contains the information necessary to locate and identify specific parts of the 900 Series Overhead Projectors.

Part Numbers

All components available on a replacement basis are listed with their 3M identification number. The parts identification list opposite each illustration provides the description adequate to identify components.

Locating and Identifying a Part

If physical appearance and general location of an item are known:

1. Use the Overview illustration to determine which section includes the item.
2. Refer to the section and locate the item on the exploded view illustration.

The part identification numbers provided in this manual are from the most current data available. Make sure part identification numbers for your component have not been amended by changes and updates made to your 900 Series Overhead Projectors.

Machine Identification Plate

The Machine Identification Plate is located on the bottom side of each projector and lists specific information that is needed when calling for technical assistance or ordering parts.

Ordering Parts

When ordering parts, include part identification number, description, quantity and the following information:

1. Product Name: The specific version number of the projector.
2. Model Number/Alpha Code: The series number of the projector followed by a three or four character alpha code identifier. The Alpha Code indicates the design level, specific product characteristics, power cord or distribution specific to a country.
3. MFG Code: The MFG Code indicates the year and quarter the projector was built. See example below:

| MFG Code | | | |
|----------|------|-------|-----------|
| Letter | | Digit | |
| H | 1989 | 1 | Jan – Mar |
| J | 1990 | 2 | Apr – Jun |
| K | 1991 | 3 | Jul – Sep |
| L | 1992 | 4 | Oct – Dec |
| M | 1993 | 1 | Jan – Mar |

4. Lamp: The electrical rating of the lamp.
5. S/N: The serial number assigned to this projector.

For part orders contact:

| | |
|-------------------|---------------------------|
| Dealers: | Refer to Dealers Guide |
| 3M Subsidiaries: | Contact Export Operations |
| Retail Customers: | |
| FAX: | 1-800-852-3917 |
| Telephone: | 1-800-328-2883 |

This page intentionally left blank.

Table of Contents

| Section No. | Title | Page |
|----------------|---|------|
| | Quick Reference Service Parts Index | 2 |
| 1 | System Overview | 3 |
| 2 | Articulate (Closed) Head Assemblies | 4 |
| 3 | Open Head Assemblies | 6 |
| 4 | Arm and Focus Assembly | 8 |
| 5 | Top Cover Assembly | 10 |
| 6 | Fresnel and Stage Assembly | 12 |
| 7 | Base Assembly | 14 |
| 8 | Lamp Housing Assembly - (Single ENX Lamp - 905, 905D, 905W) | 16 |
| 9 | Lamp Housing Assembly - (Dual ENX Lamp - 908, 910, 920, & Dual FXL Lamp - 955) | 18 |
| 10 | Lamp Housing Assembly - FNT Single and Dual Lamp | 24 |
| 11 | Roller Attachment | 26 |
| Appendix A ... | Field Update Kits | 28 |

IMPORTANT NOTICE

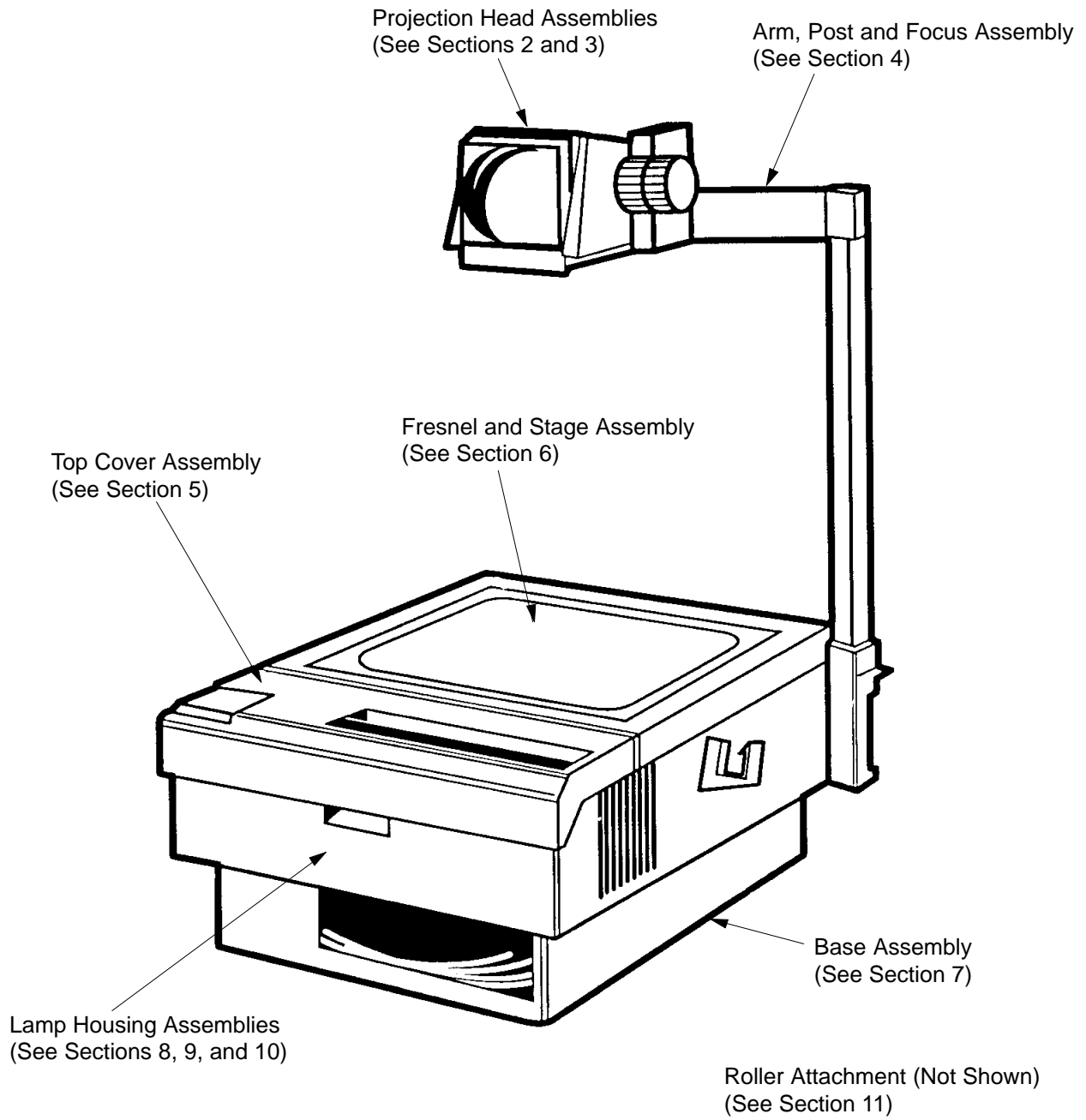
**3M reserves the right to sell or furnish NEW OR RECONDITIONED PARTS.
New and reconditioned parts are covered by the same 3M new parts limited warranty.
Hardware items are subject to availability and may need to be purchased locally.**

The 900 Series Overhead Projectors are discontinued models, Therefore, all parts are subject to availability.

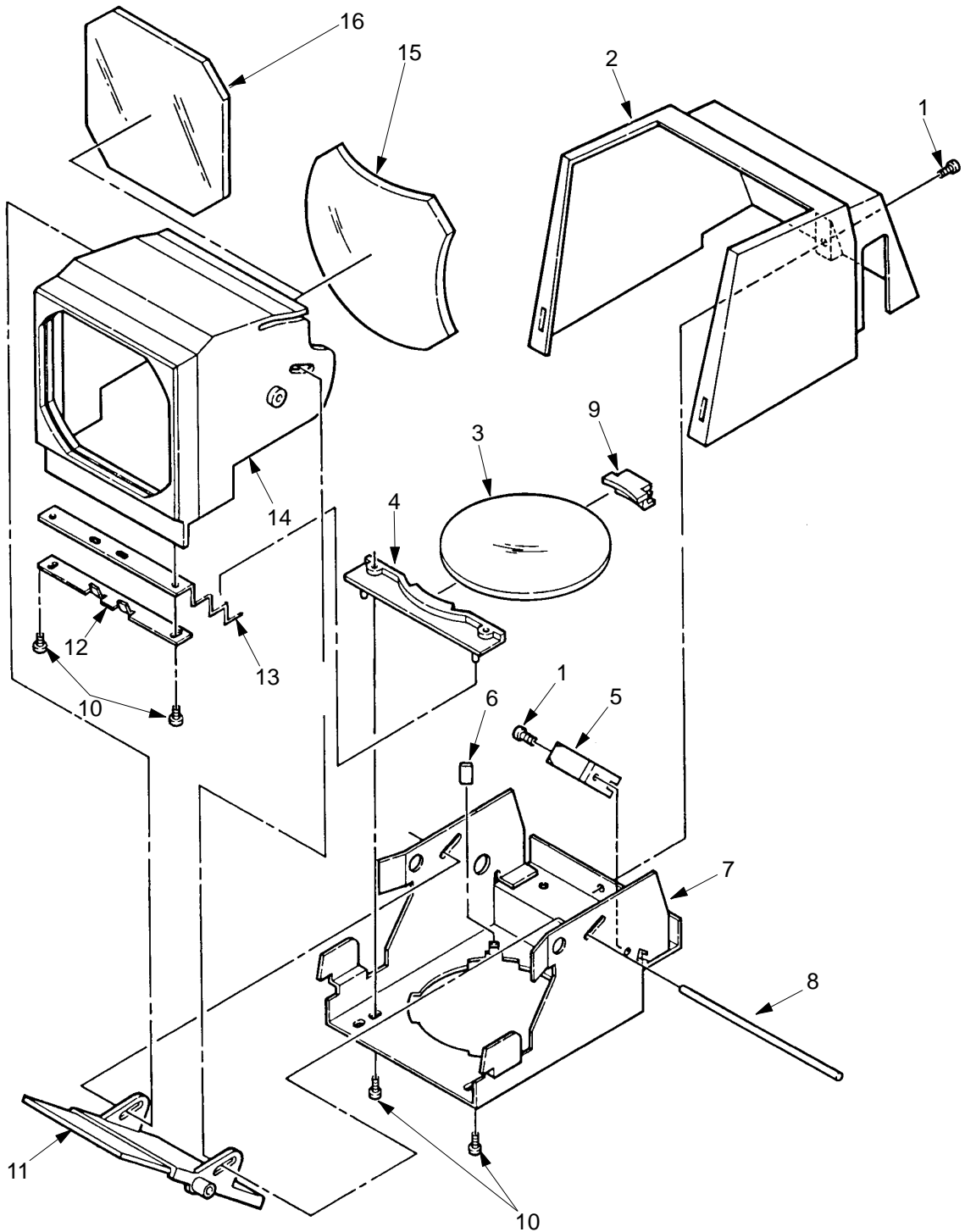
Quick Reference Service Parts Index

| Description | Part Number | Section Item | |
|---|-------------------|--------------|-----|
| | | No. | No. |
| ACTUATOR SWITCH, Button | 78-8064-1515-0 .. | 5 | 1 |
| CRADLE, Post | 78-8079-8890-8 .. | 7 | 6 |
| DIODE KIT (Kit includes diode with screw) | 78-8073-6970-3 .. | 8 | 30 |
| FAN | 78-8064-1532-5 .. | 8 | 13 |
| FOOT KIT (4 feet and screws) | 78-6969-7794-7 .. | 7 | 7 |
| GLASS, Stage (Models 905, 908, 910, 920) | 78-8064-1473-2 .. | 6 | 1A |
| GLASS, Stage (Model 955) | 78-8073-7221-0 .. | 6 | 1B |
| KNOB, Focus, Black | 78-8064-1601-8 .. | 4 | 11 |
| KNOB, Focus, Purple (Model 955) | 78-8073-7225-1 .. | 4 | 11 |
| LAMP, ENX, 82 Volt, 360W (Models 905, 908, 910, 920) | 78-8011-1186-1 .. | 8 | 1 |
| LAMP, FXL, 82 Volt, 410W (Model 955) | 78-8073-7100-6 .. | 8 | 1 |
| LENS, Exit, 14" (355 mm) (Models 905D, 910) | 78-8014-8812-9 .. | 2 | 15 |
| LENS, Fresnel, SE, GF, 182.9mm Fl (Models 905, 908, 910, 920) | 78-8064-1645-5 .. | 6 | 4A |
| LENS, Fresnel (Models 955 and A4 Stage Size) | 78-8064-1810-5 .. | 6 | 4B |
| LENS, Triplet 13.0" (330 mm) (Model 920, 955) | 78-8064-1833-7 .. | 3 | 11B |
| LENS, Minuscus, 14" (355 mm) (Models 905D, 910) | 78-8011-1440-2 .. | 2 | 3A |
| LENS, Wide Angle, 11.5" (293 mm) (Models 905, 905W, 908) | 78-8014-8951-5 .. | 2 | 3B |
| MIRROR ASSEMBLY, Body, M900 before S/N 805302 | 78-8064-1788-3 .. | 7 | 1A |
| MIRROR ASSEMBLY, Body, M900 after S/N 805302 and European-built M900 After S/N 9.000.001 | 78-8073-6954-7 .. | 7 | 1B |
| MIRROR HOUSING ASSEMBLY (Models 905D, 905W, 908, and 910) | 78-8064-1457-5 .. | 2 | 11 |
| MIRROR HOUSING ASSEMBLY, Black (Model 905, 920) | 78-8057-4230-7 .. | 3 | 4A |
| MIRROR HOUSING ASSEMBLY, Dark Grey (Model 955) | 78-8073-7232-7 .. | 3 | 4B |
| MIRROR ASSEMBLY, Body (Model M955 only) | 78-8073-7252-5 .. | 7 | 1C |
| MOTOR, 120 Volt | 78-8064-1550-7 .. | 8 | 16 |
| MOUNT, Post | 78-8064-1530-9 .. | 4 | 21 |
| RESISTOR KIT (Model M955) | 78-8073-7302-8 .. | 12 | 2 |
| RESISTOR KIT, 120V (Model M900) | 78-6969-7934-9 .. | 12 | 1 |
| RESISTOR KIT, 220/240V (Model M900) | 78-8064-1832-9 .. | 12 | 3 |
| SOCKET, Lamp, Single | 78-8073-6964-6 .. | 8 | 6 |
| SOCKET, Lamp, Dual | 78-8073-6956-2 .. | 9 | 6 |
| SWITCH, Micro, On/Off | 78-8064-1570-5 .. | 8 | 35 |
| SWITCH, High/Low (Model 955 only) | 78-8073-7212-9 .. | 9 | 48 |
| TRANSFORMER, 120 Volt Input (Model 955 only) | 78-8073-7205-3 .. | 9 | 51 |
| TRANSFORMER, 230/240 Volt input (Model 955 only) | 78-8073-6958-8 .. | 9 | 51 |
| TRANSFORMER, 200 Volt input (Model 955 only) | 78-8073-7280-6 .. | 9 | 51 |
| THERMOSTAT, Safety | 78-8064-1535-8 .. | 8 | 33 |

**Section 1
SYSTEM OVERVIEW**



Section 2
ARTICULATE (CLOSED) HEAD ASSEMBLIES



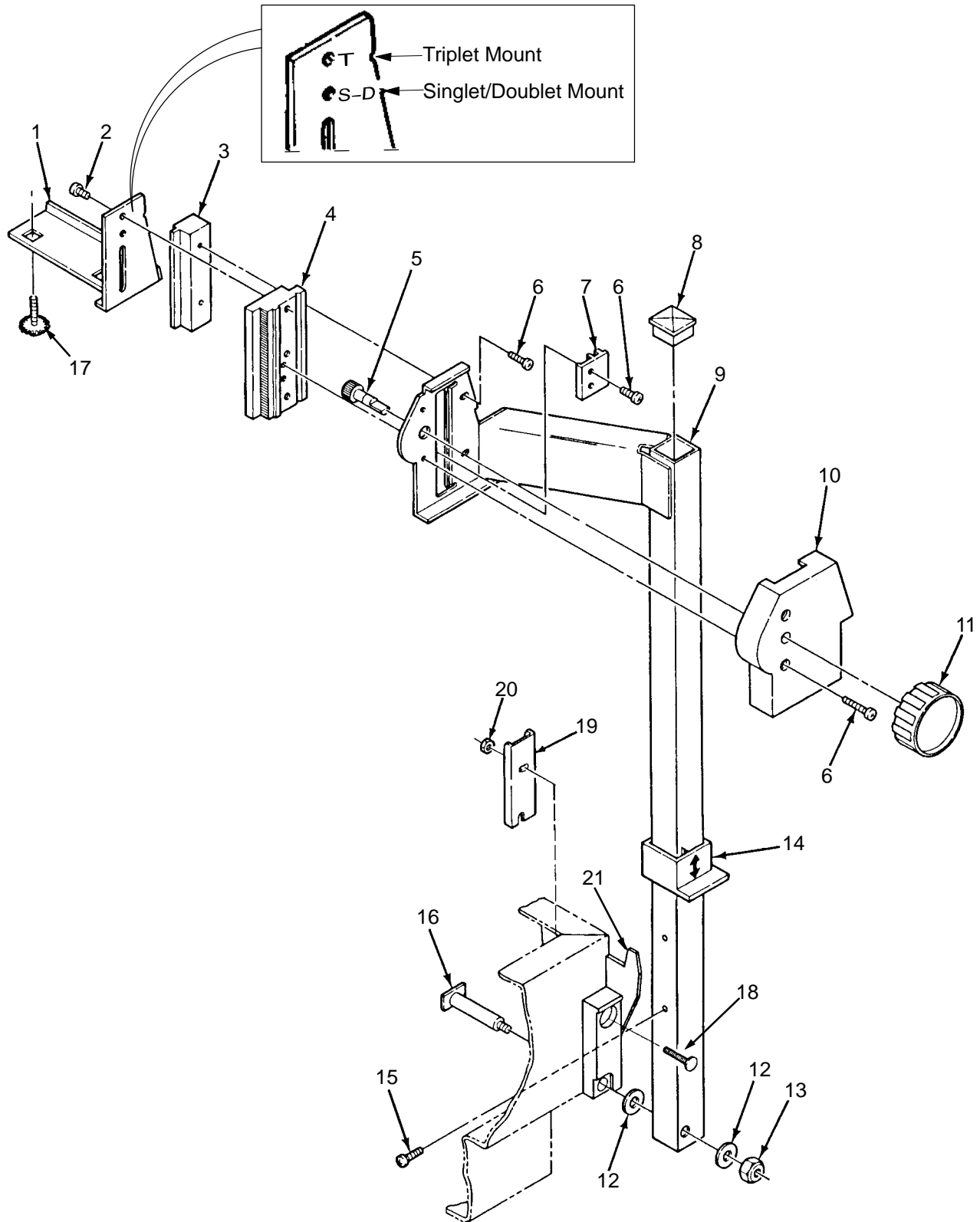
Section 2
ARTICULATE (CLOSED) HEAD ASSEMBLIES

| Item No. | Part Number | Description | Qty |
|----------|----------------|---|-----|
| 0A | 78-8064-1420-3 | ART DOUBLET HEAD ASSEMBLY, 14" (355mm) (Models 905, 910) | 1 |
| 0B | 78-8064-1421-1 | ART SINGLET HEAD ASSEMBLY, 11.5" (293mm) (Models 905W, 908) | 1 |
| 1 | 26-1007-1061-0 | SCREW, Pan Head, Phillips, 173.5 X 0.6 X 10 | 2 |
| 2 | 78-8064-1559-8 | COVER, Head, Medium Grey | 1 |
| 3A | 78-8011-1440-2 | LENS, Minuscus, 14" (355 mm) (Models 905D, 910) | 1 |
| 3B | 78-8014-8951-5 | LENS, Wide Angle, 11.5" (293 mm) (Models 905, 905W, 908) | 1 |
| 4A | 78-8064-1595-2 | CLAMP, Lens, Doublet (Models 905D, 910) | 1 |
| 4B | 78-8064-1596-0 | CLAMP, Lens, Singlet (Models 905W, 908) | 1 |
| 5 | 78-8014-8817-7 | SPRING, Tension | 1 |
| 6 | 78-8064-1646-3 | TUBING, Lens (Models 905D, 910) | 2 |
| 7 | 78-8064-1579-6 | BRACKET, Lens | 1 |
| 8 | 78-8011-1445-1 | SHAFT, Pivot | 1 |
| 9 | 78-8064-1643-0 | MOUNT, Lens (Models 905W, 908) | 1 |
| 10 | 26-1002-4966-8 | SCREW, Pan Head, Phillips 4.20 X 1/4" | 4 |
| 11 | 78-8064-1457-5 | MIRROR HOUSING ASSEMBLY (Models 905D, 905W, 908, 910) | 1 |
| 12 | 78-8064-1602-6 | CLAMP, Dust Shield and Lens | 1 |
| 13 | 78-8064-1797-4 | SHIELD, Dust | 1 |
| 14 | 78-8064-1562-2 | HOUSING, Exit Lens, Black | 1 |
| 15 | 78-8014-8812-9 | LENS, Exit, 14" (355 mm) (Models 905D, 910) | 1 |
| 16 | 78-8064-1650-5 | GLASS, Exit, Plano (Models 905W, 908) | 1 |

Section 3
OPEN HEAD ASSEMBLIES

| Item No. | Part Number | Description | Qty |
|----------|------------------|--|-----|
| 1A | 78-8064-1408-8 | OPEN SINGLET HEAD ASSEMBLY, 11.5" (293 mm) (Model 905) | 1 |
| 1B | 78-8064-1419-5 | OPEN TRIPLET HEAD ASSEMBLY, 13.0" (330 mm) (Model 920) | 1 |
| 1C | 78-8073-7234-3 | OPEN TRIPLET HEAD ASSEMBLY, with Magnifier (Model 955) | 1 |
| 2 | 26-1007-1061-0 | SCREW, Pan Head, Phillips. 173.5 X 0.6 X 10 | 1 |
| 3A | 78-8064-1514-3 | COVER, Head, Singlet, Medium Grey (Model 905) | 1 |
| 3B | 78-8064-1558-0 | COVER, Head, Triplet, Black (Model 920) | 1 |
| 3C | 78-8073-7233-5 | COVER, Head, Triplet, Dark Grey (Model 955) | 1 |
| 4A | 78-8057-4230-7 | MIRROR HOUSING ASSEMBLY Black, (Model 905, 920) | 1 |
| 4B | 78-8073-7232-7 | MIRROR HOUSING ASSEMBLY Dark Grey, (Model 955) | 1 |
| 5 | 78-8064-1605-9 | SPRING, Mirror Dampening | 1 |
| 6 | 78-8003-9762-5 | NUT, 8-32 X 0.44 X .74 | 1 |
| 7A | 78-8064-1480-7 | BRACKET, Lens, Singlet (Model 905) | 1 |
| 7B | 78-8064-1517-6 | BRACKET, Lens, Triplet (Model 920) | 1 |
| 8 | 26-1004-0460-2 | WASHER, Nylon, .172ID X .56OD X .15 | 1 |
| 9 | Purchase Locally | SCREW, Pan Head, Phillips, 8-32 X 7/16" | 1 |
| 10 | 78-8064-1646-3 | TUBING, Lens (Model 905) | 3 |
| 11A | 78-8014-8951-5 | LENS, Wide Angle, 11.5" (293 mm) (Model 905) | 1 |
| 11B | 78-8064-1833-7 | LENS, Triplet 13.0" (330 mm) (Model 920, 955) | 1 |
| 12 | 26-1002-5091-4 | SCREW, Pan Head, Phillips, 6-32 X 14" (Model 955) | 2 |
| 13 | 78-8073-7200-4 | MOUNT, Auxiliary Lens (Model 955) | 2 |
| 14 | 78-8073-7201-2 | FRAME, Auxiliary Lens (Model 955) | 1 |
| 15 | 78-8073-7209-5 | LENS, Auxiliary (Model 955) | 1 |
| 16 | 78-8073-7202-0 | RETAINER, Auxiliary Lens (Model 955) | 1 |
| 17 | 26-1002-5084-9 | SCREW, Pan Head, Thread Form Taptite, 4-40 X 3/16" (Model 955) | 3 |
| 18 | 78-8064-1592-9 | WASHER (Model 955) | 2 |

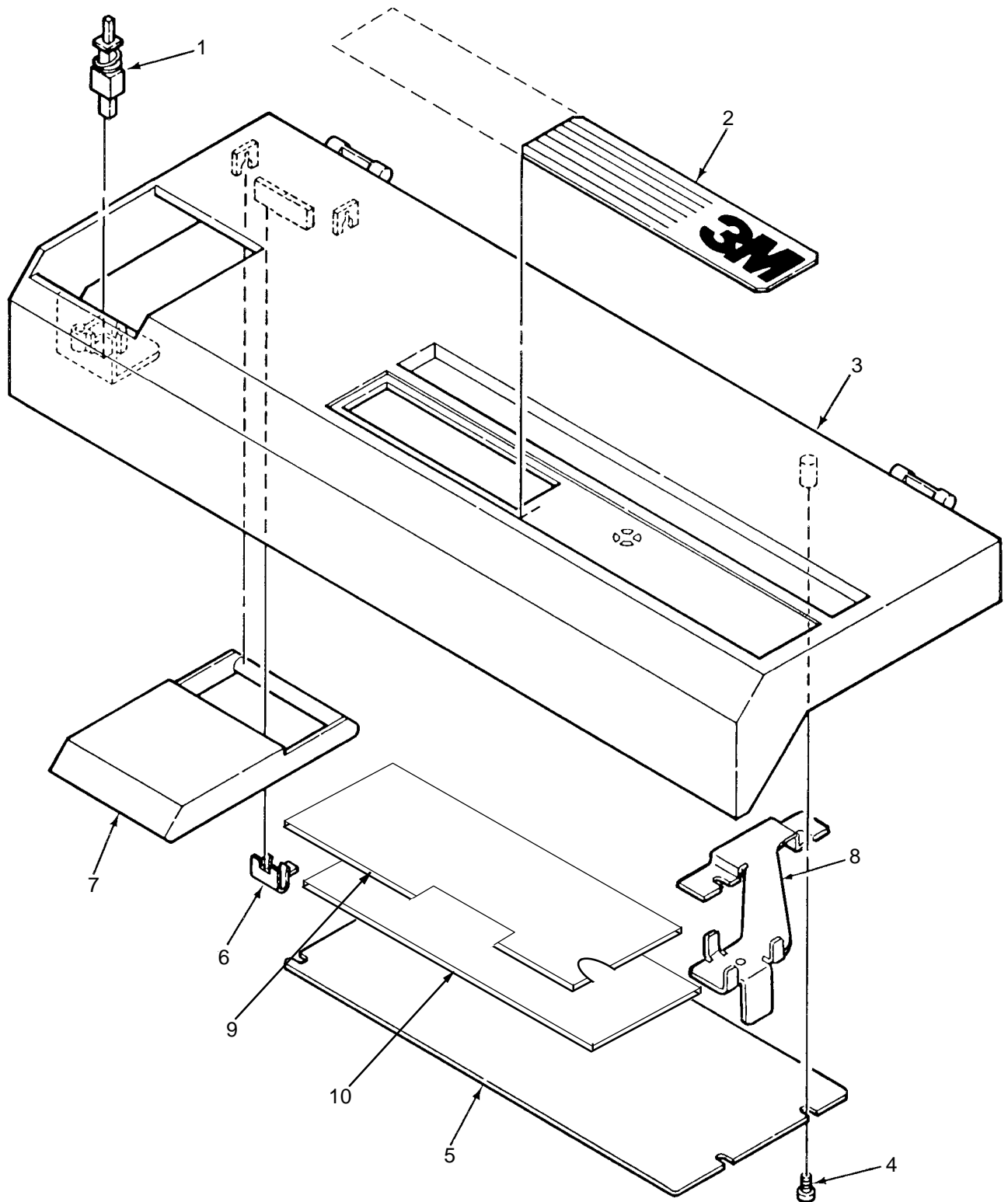
Section 4
ARM AND FOCUS ASSEMBLY



Section 4
ARM AND FOCUS ASSEMBLY

| Item No. | Part Number | Description | Qty |
|----------|----------------|---|-----|
| 1 | 78-8064-1591-1 | L-BRACKET | 1 |
| 2 | 26-1002-4973-4 | SCREW, Pan Head, Phillips, 8-16 X 1/2" | 2 |
| 3 | 78-8064-1555-6 | GUIDE, Gear Rack | 1 |
| 4 | 78-8064-1552-3 | GEAR Rack, Focus | 1 |
| 5 | 78-8064-1522-6 | GEAR, Focus | 1 |
| 6 | 26-1002-4971-8 | SCREW, Pan Head, Phillips, 6-19 X 1/2" | 6 |
| 7 | 78-8064-1556-4 | SLIDE, Focus | 1 |
| 8 | 26-1009-3653-8 | CAP, Plastic | 1 |
| 9A | 78-8064-1482-3 | POST ARM WELDMENT, Black | 1 |
| 9B | 78-8073-7223-6 | POST ARM WELDMENT, Dark Grey (Model 955) | 1 |
| 10A | 78-8064-1506-9 | COVER, Focus, Black | 1 |
| 10B | 78-8073-7224-4 | COVER, Focus, Dark Grey (Model 955) | 1 |
| 11A | 78-8064-1601-8 | KNOB, Focus, Black | 1 |
| 11B | 78-8073-7225-1 | KNOB, Focus, Purple (Model 955) | 1 |
| 12 | 78-8064-1592-9 | WASHER, Pivot | 2 |
| 13 | 26-1006-7602-7 | NUT, Hex, 1/4-20, Elastic Stop Lock | 1 |
| 14 | 78-8064-1533-3 | LOCK, Post | 1 |
| 15 | 26-1007-1061-0 | SCREW, Pan Head, Phillips, M3.5 X 0.6 X 1 | 1 |
| 16 | 78-8064-1511-9 | PIVOT, Post | 1 |
| 17 | 26-1003-6669-4 | SCREW, Hex Head, M4 X 0.7 X 16 | 2 |
| 18 | 26-1008-3336-2 | BOLT, Carriage, 1/4-20 X 5/8 | 1 |
| 19 | 78-8064-1516-8 | PLATE, Backup | 1 |
| 20 | 26-1006-7602-7 | NUT, Hex | 1 |
| 21 | 78-8064-1530-9 | MOUNT, Post | 1 |

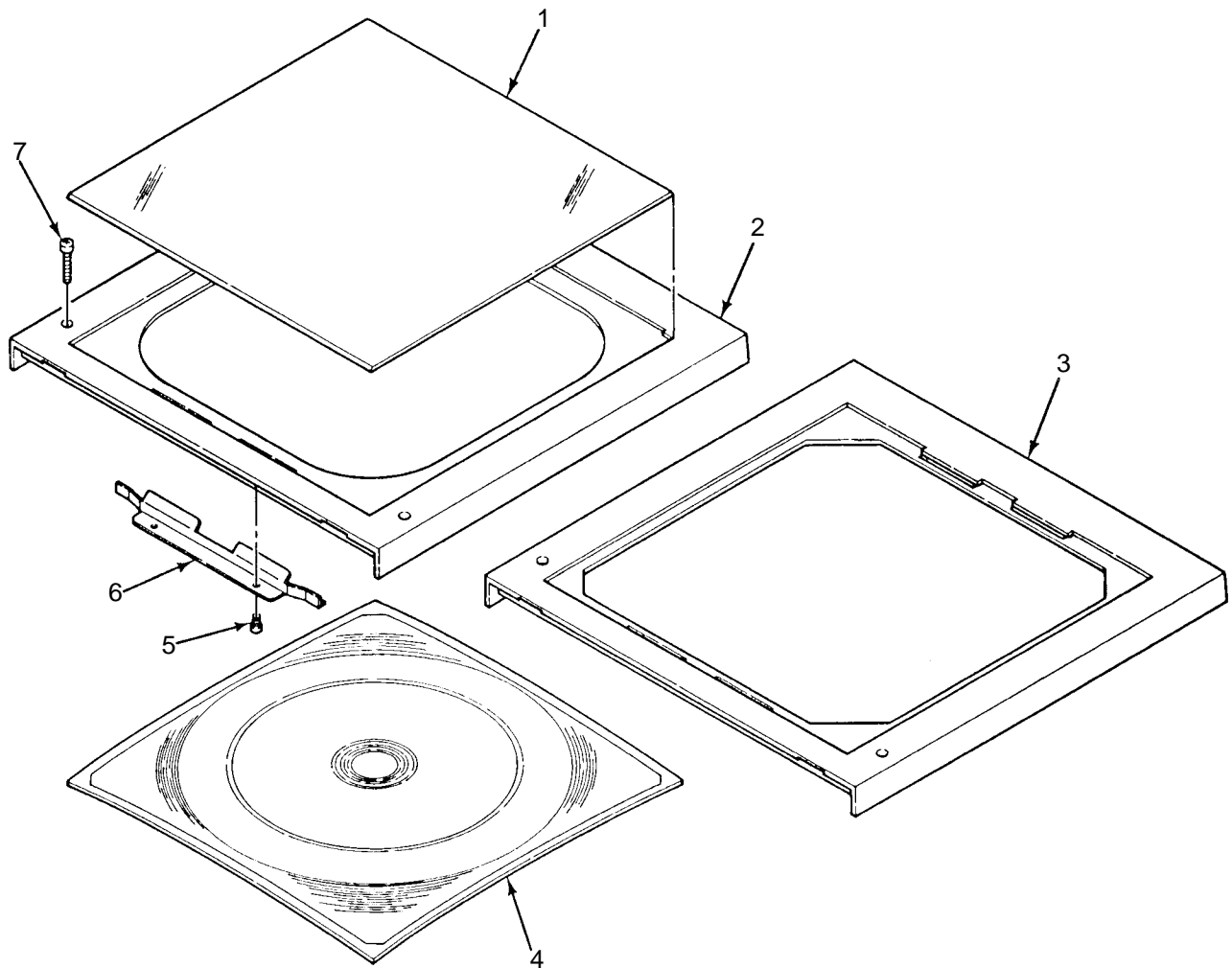
Section 5
TOP COVER ASSEMBLY



Section 5
TOP COVER ASSEMBLY

| Item No. | Part Number | Description | Qty |
|----------|----------------|--|-----|
| 1 | 78-8064-1515-0 | ACTUATOR SWITCH, Button | 1 |
| 2A | 78-8064-1620-8 | LABEL (Model 905) | 1 |
| 2B | 78-8064-1659-6 | LABEL (Model 905D) | 1 |
| 2C | 78-8064-1835-2 | LABEL (Model 905W) | 1 |
| 2D | 78-8064-1658-8 | LABEL, Exterior Lamp Changer Knob (Model 908) | 1 |
| 2E | 78-8073-7012-3 | LABEL, Interior Lamp Changer Knob (Model 908) | 1 |
| 2F | 78-8064-1621-6 | LABEL, Exterior Lamp Changer Knob (Model 910) | 1 |
| 2G | 78-8073-7013-1 | LABEL, Interior Lamp Changer Knob (Model 910) | 1 |
| 2H | 78-8064-1622-4 | LABEL, Exterior Lamp Changer Knob (Model 920) | 1 |
| 2I | 78-8073-7014-9 | LABEL, Interior Lamp Changer Knob (Model 920) | 1 |
| 2J | 78-8073-7210-3 | LABEL (Model 955) | 1 |
| 3A | 78-8064-1418-7 | TOP DOOR ASSEMBLY, Dual Lamp, Outside Lamp Changer, Medium Grey | 1 |
| 3B | 78-8073-7229-3 | TOP DOOR ASSEMBLY, Dual Lamp, Purple On/Off Switch, Dark Grey (Model 955) | 1 |
| 3C | 78-8064-1410-4 | TOP DOOR ASSEMBLY, Single Lamp, Inside Lamp Changer, Medium Grey | 1 |
| 3D | Not Available | TOP DOOR ASSEMBLY (Model 905) | 1 |
| 3E | 78-8064-1704-0 | TOP DOOR ASSEMBLY (Model 905D) | 1 |
| 3F | 78-8064-1836-0 | TOP DOOR ASSEMBLY (Model 905W) | 1 |
| 3G | Not Available | TOP DOOR ASSEMBLY (Model 908) | 1 |
| 3H | 78-8064-1423-7 | TOP DOOR ASSEMBLY (Model 910) | 1 |
| 4 | 26-1007-5427-9 | SCREW, Pan Head, Phillips, 6-19 X 3/8" | 4 |
| 5A | 78-8064-1498-9 | SHIELD, Heat, Lamp Changer (Models 908, 910, 920) | 1 |
| 5B | 78-8064-1629-9 | SHIELD, Heat, Single Lamp (Models 905, 905D, 905W) | 1 |
| 6 | 26-1006-7603-5 | CLIP, Speed, U-type | 2 |
| 7A | 78-8064-1496-3 | BUTTON, Switch, Red (Models 905, 908, 910, 920) | 1 |
| 7B | 78-8073-7228-5 | BUTTON, Switch, Purple (Model 955) | 1 |
| 8 | 78-8073-7263-2 | ACTUATOR, Interlock (Model 955—Outside U.S.) | 1 |
| 9 | 78-8064-1769-3 | SHIELD, Heat, Dual Lamp (All Models Except 905) | 1 |
| 10 | 78-8064-1770-1 | SHIELD, Heat, Single Lamp (Model 905) | 1 |

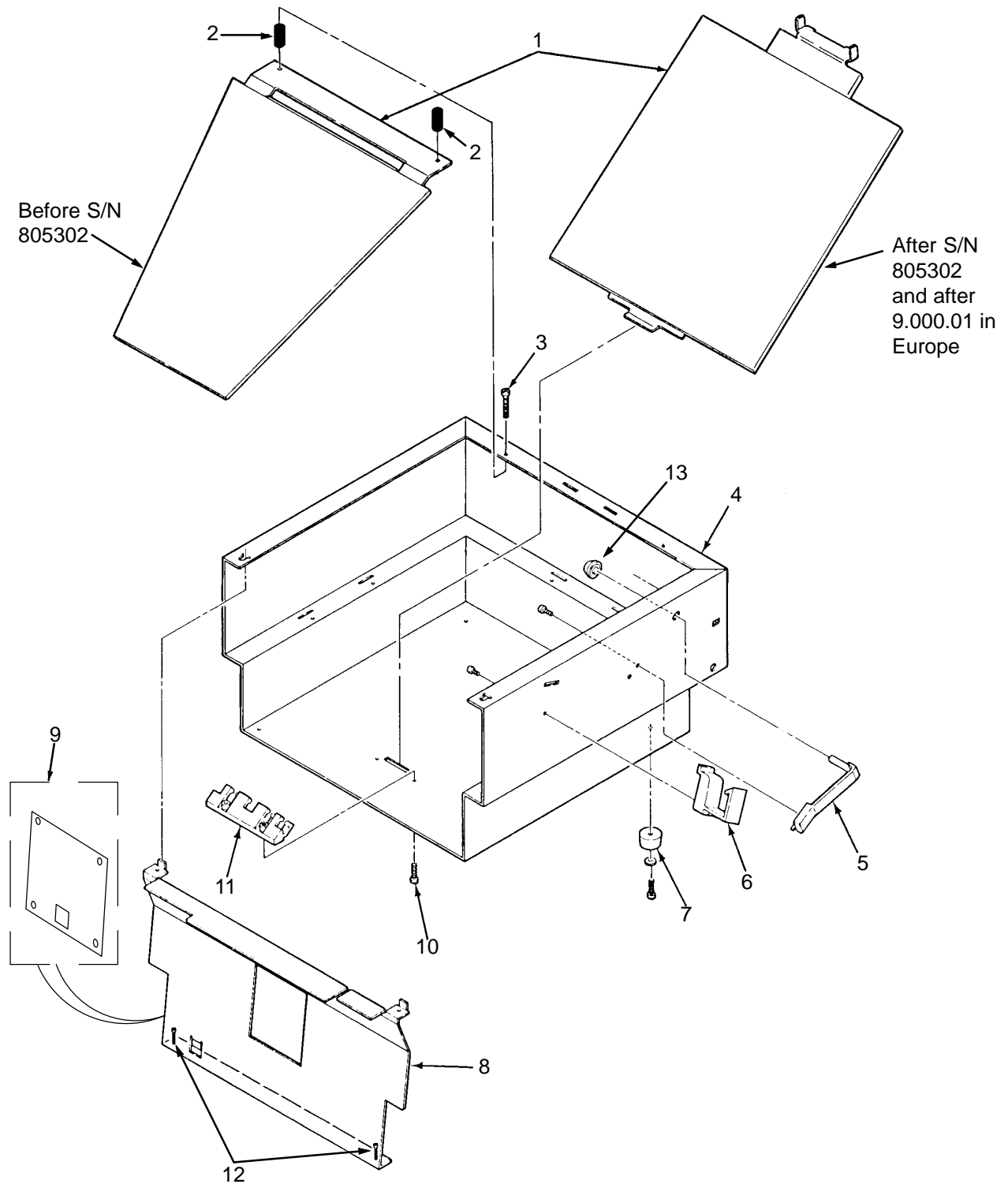
**Section 6
FRESNEL AND STAGE ASSEMBLY**



**Section 6
FRESNEL AND STAGE ASSEMBLY**

| Item No. | Part Number | Description | Qty |
|----------|----------------|---|-----|
| 1A | 78-8064-1473-2 | GLASS, Stage (Models 905, 908, 910, 920) | 1 |
| 1B | 78-8073-7221-0 | GLASS, Stage (Model 955) | 1 |
| 2A | 78-8064-1529-1 | HOLDER, Fresnel, 10.5", Medium Grey (Models 905, 908, 910, 920) | 1 |
| 2B | 78-8073-7220-2 | HOLDER, Fresnel, 10.5", Dark Grey (Model 955) | 1 |
| 3 | 78-8064-1470-8 | HOLDER, Fresnel, 11.2", A4, Medium Grey | 1 |
| 4A | 78-8064-1645-5 | LENS, Fresnel, SE, GF, 182.9mm Fl (Models 905, 908, 910, 920) | 1 |
| 4B | 78-8064-1810-5 | LENS, Fresnel (Models 955 and A4 Stage Size) | 1 |
| 5 | 26-1002-6172-1 | SCREW, Pan Head, Phillips, M4.7 X 1.60 X 10 | 2 |
| 6 | 78-8064-1531-7 | RETAINER, Stage Glass | 1 |
| 7 | 26-1002-3995-8 | SCREW, Pan Head, Phillips, M4 X 0.7 X 20 | 2 |

Section 7
BASE ASSEMBLY

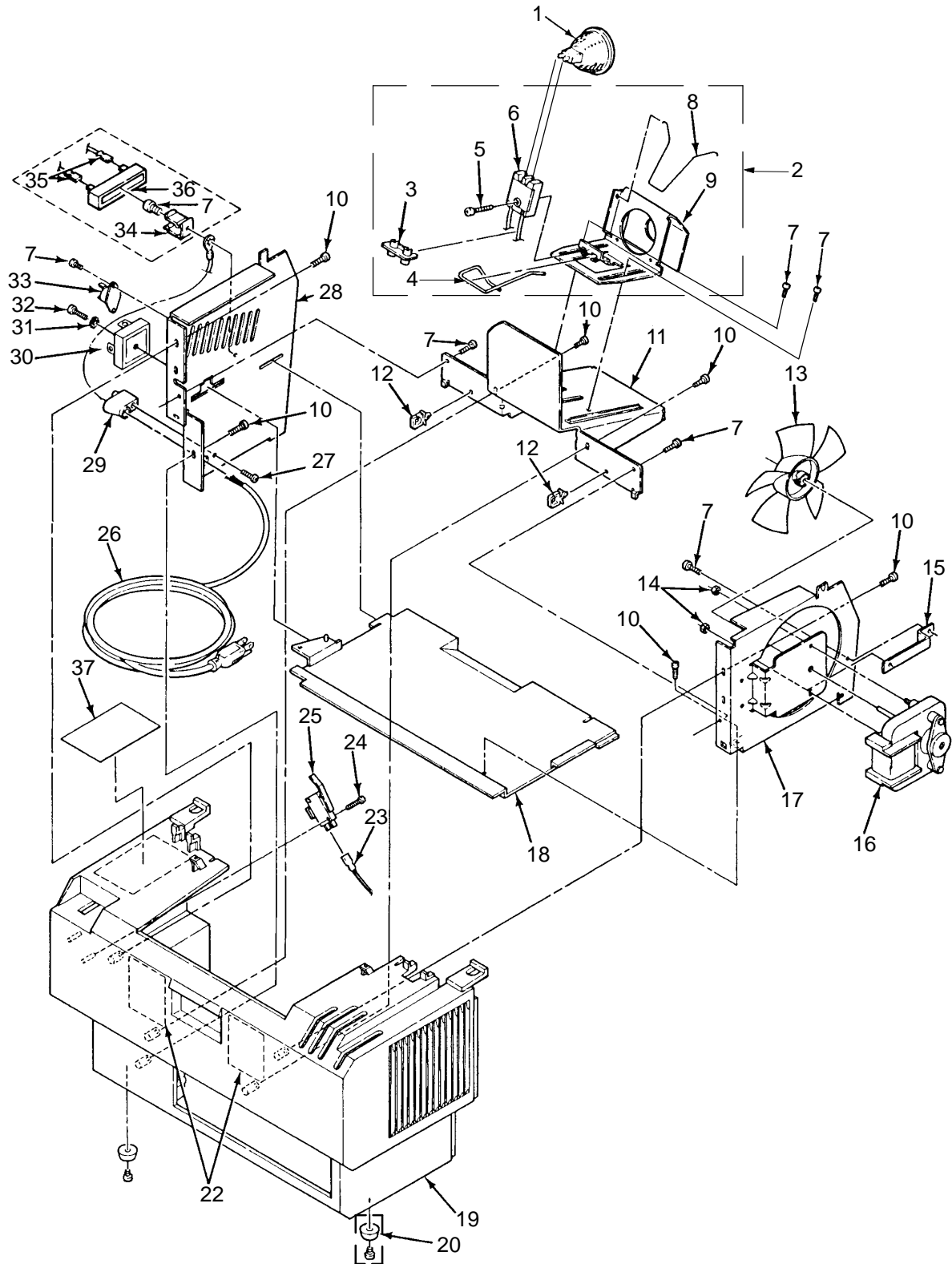


Section 7
BASE ASSEMBLY

| Item No. | Part Number | Description | Qty |
|----------|----------------|---|-----|
| 1A | 78-8064-1788-3 | MIRROR ASSEMBLY, Body, M900 before S/N 805302, (See Note 1) | 1 |
| 1B | 78-8073-6954-7 | MIRROR ASSEMBLY, Body, M900 after S/N 805302 and European-built M900 After S/N 9.000.001 | 1 |
| 1C | 78-8073-7252-5 | MIRROR ASSEMBLY, Body (Model M955 only) | 1 |
| 2 | 26-1008-3329-7 | STAND OFF/SPACER | 2 |
| 3 | 26-1002-6213-3 | SCREW, M4, Special | 2 |
| 4A | 78-8073-6955-4 | BASE, Charcoal Brown | 1 |
| 4B | 78-8073-7254-1 | BASE ASSEMBLY (U.S. and Canada M955 only) | 1 |
| 4C | 78-8073-7289-7 | BASE ASSEMBLY (Outside U.S. and Canada M955 only) | 1 |
| 5 | 78-8064-1656-2 | CATCH, Post | 1 |
| 6 | 78-8079-8890-8 | CRADLE, Post | 1 |
| 7 | 78-6969-7794-7 | FOOT KIT (4 feet and screws) | 1 |
| 8A | 78-8064-1464-1 | BAFFLE (U.S. and Canada M955 only) | 1 |
| 8B | 78-8073-7288-9 | BAFFLE (Outside U.S. and Canada M955 only) (Does not include Baffle Plate) | 1 |
| 9 | 78-8073-7306-9 | PLATE, Baffle (Use with 78-8073-7288-9 only) | 1 |
| 10 | 26-1007-5427-9 | SCREW, Pan Head, Phillips, 6-19 X 3/8" | 4 |
| 11 | 78-8064-1518-4 | HOLDER, Body Mirror (Use with 78-8064-1788-3 Mirror Assembly) | 1 |
| 12 | 26-1002-4948-6 | SCREW, Plastite, 6-19 X 5/16" | 2 |
| 13 | 26-1008-0070-0 | NUT, Push-on, .250 dia. | 1 |

Note 1. The old style Body Mirror Assembly (78-8064-1788-3) will fit in the newer 900's (after S/N 805302), however, the new style Body Mirror (78-8073-6954-7) will not fit in the 900s before S/N 805302.

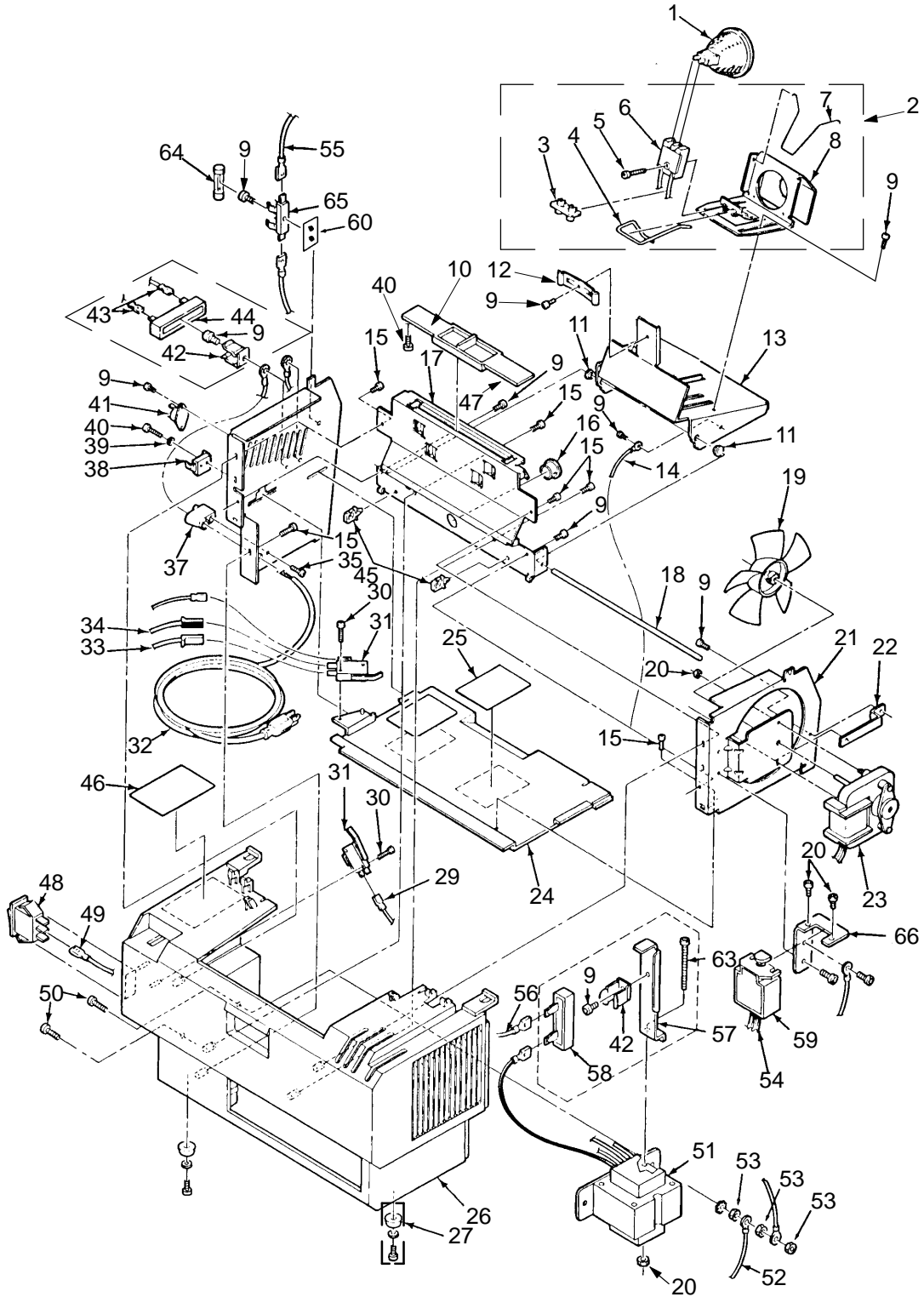
Section 8
LAMP HOUSING ASSEMBLY
(SINGLE ENX LAMP - 905, 905D, 905W)



Section 8
LAMP HOUSING ASSEMBLY
(SINGLE ENX LAMP - 905, 905D, 905W)

| Item No. | Part Number | Description | Qty |
|----------|------------------|--|-----|
| 1 | 78-8011-1186-1 | LAMP, ENX, 82 Volt, 360W | 1 |
| 2 | 78-8064-1417-9 | LAMP HOLDER ASSEMBLY, Single | 1 |
| 3 | 78-8064-1509-3 | COVER, Wire | 1 |
| 4 | 78-8064-1491-4 | WIRE FORM, Lamp Holder | 1 |
| 5 | 26-1002-6207-5 | SCREW, Pan Head, Phillips, M3X .05 X 12 | 1 |
| 6 | 78-8073-6964-6 | SOCKET, Lamp, Single | 1 |
| 7 | 26-1007-1061-0 | SCREW, Pan Head, Phillips, M3.5 X 0.06 X 10 | 8 |
| 8 | 78-8064-1510-1 | SPRING, Retaining | 1 |
| 9 | 78-8073-7208-7 | LAMP HOLDER, Singlet, 1.5" Aperture | 1 |
| 10 | 26-1002-4948-6 | SCREW, Pan Head, Phillips, 6-19 X 5/16" | 6 |
| 11 | 78-8064-1494-8 | BRACKET, Lamp, Single | 1 |
| 12 | Purchase Locally | CLIP/CLAMP, Electrical | 2 |
| 13 | 78-8064-1532-5 | FAN | 1 |
| 14 | 18-1728-1516-1 | NUT, Hex, Machine, 6-32 X 1/4" | 2 |
| 15 | 78-8064-1604-2 | BRACKET, Fan Support | 1 |
| 16 | 78-8064-1550-7 | MOTOR, 120 Volt | 1 |
| 17 | 78-8064-1492-2 | BRACKET, Fan | 1 |
| 18 | 78-8064-1866-7 | SHELF, Lamp Housing | 1 |
| 19 | 78-8064-1865-9 | HOUSING, Lamp, Dark Grey (Feet not included) | 1 |
| 20 | 78-6969-7794-7 | FOOT KIT (4 feet and screws) | 1 |
| 21 | 78-8064-1840-2 | HOUSING AND FOOT ASSEMBLY | 1 |
| 22 | 78-8064-1655-4 | SHIELD, Heat | 2 |
| 23 | 78-8064-1624-0 | JUMPER, Switch | 1 |
| 24 | 26-1006-7884-1 | SCREW, Pan Head, Phillips, 4-24 X 5/8" | 2 |
| 25 | 78-8064-1570-5 | SWITCH, Micro, On/Off | 1 |
| 26 | 78-8064-1536-6 | POWER CORD, 10' | 1 |
| 27 | 26-1003-3716-6 | SCREW, Pan Head, Phillips, 6-19 X 1" | 1 |
| 28 | 78-8073-7050-3 | BRACKET, Cooling | 1 |
| 29 | DY-1160-2020-6 | STRAIN RELIEF | 1 |
| 30 | 78-8073-6970-3 | DIODE KIT (Kit includes diode with screw) | 1 |
| 31 | Purchase Locally | WASHER, Lock, External Tooth, #8 | 1 |
| 32 | 26-1002-6213-3 | SCREW, Pan Head, Phillips, M4 X 1.7 X 20 | 1 |
| 33 | 78-8064-1535-8 | THERMOSTAT, Safety | 1 |
| 34 | 78-8033-1666-6 | CLIP, Tinnerman | 1 |
| 35 | 78-8064-1708-1 | JUMPER, Resistor | 2 |
| 36 | 78-8011-1198-6 | RESISTOR | 1 |
| 37 | 78-8064-1626-5 | LABEL, Lamp Replacement, ENX | 1 |
| 38 | 78-8003-8335-4 | TIE WRAP, Panduit (Not Shown) | 1 |

Section 9
LAMP HOUSING ASSEMBLY
(DUAL ENX LAMP - 908, 910, 920, & DUAL FXL LAMP - 955)



Section 9
LAMP HOUSING ASSEMBLY
(DUAL ENX LAMP - 908, 910, 920, & DUAL FXL LAMP - 955)

| Item No. | Part Number | Description | Qty |
|----------|----------------|--|-----|
| 1A | 78-8011-1186-1 | LAMP, ENX, 82 Volt, 360W (Models 908, 910, 920) | 2 |
| 1B | 78-8073-7100-6 | LAMP, FXL, 82 Volt, 410W (Model 955) | 2 |
| 2 | 78-8064-1456-7 | LAMP HOLDER ASSEMBLY, Dual (Models 908, 910, 920) | 2 |
| 3 | 78-8064-1590-3 | COVER, Wire | 2 |
| 4 | 78-8064-1491-4 | WIREFORM, Lamp Holder | 2 |
| 5 | 26-1002-6207-5 | SCREW, Pan Head, Phillips, M3 X 0.5 X 12 | 2 |
| 6 | 78-8073-6956-2 | SOCKET, Lamp, Dual | 2 |
| 7 | 78-8064-1510-1 | SPRING, Retaining | 2 |
| 8 | 78-8073-7208-7 | LAMP HOLDER, Dual | 2 |
| 9 | 26-1007-1061-0 | SCREW, Pan Head, Phillips, M3.5 X 0.06 X 10 | 13 |
| 10A | 78-8064-1589-5 | KNOB, Lamp Changer (Knob outside Top Cover Version) | 1 |
| 10B | 78-8073-7011-5 | KNOB, Lamp Changer, U.S., (Knob inside Top Cover Version) | 1 |
| 11 | 78-8000-8621-3 | BEARING, Plain, Flanged, Cylindrical, Nylon | 2 |
| 12 | 78-8064-1597-8 | SPRING, Detent | 1 |
| 13A | 78-8064-1587-9 | BRACKET, Dual Lamp (Models 908, 910, 920) | 1 |
| 13B | 78-8073-7217-8 | BRACKET, Dual Lamp (Model 955) | 1 |
| 14 | Not Available | JUMPER, Ground | 1 |
| 15 | 26-1002-4948-6 | SCREW, Pan Head, Phillips, 6-19 X 5/16" | 6 |
| 16 | 78-8000-8072-9 | BUSHING, .625 Mounting Hole, Nylon, Black | 1 |
| 17 | 78-8064-1586-1 | BRACKET, Lamp Changer | 1 |
| 18 | Not Available | SHAFT, Lamp Changer | 1 |
| 19 | 78-8064-1532-5 | FAN | 1 |
| 20 | 18-1728-1516-1 | NUT, Machine, Hex, 6-32 X 1/4" | 2 |
| 21 | 78-8064-1492-2 | BRACKET, Fan | 1 |
| 22 | 78-8064-1604-2 | BRACKET, Fan Support | 1 |
| 23A | 78-8064-1550-7 | MOTOR, 120 Volt | 1 |
| 23B | 78-8064-1551-5 | MOTOR, 230/240 Volt | 1 |
| 24 | 78-8064-1866-7 | SHELF, Lamp Housing | 1 |
| 25 | 78-8064-1655-4 | SHIELD, Heat | 2 |
| 26A | 78-8064-1865-9 | HOUSING, Lamp, Dark Grey, (Feet not included) | 1 |
| 26B | 78-8073-7206-1 | HOUSING, Lamp (Model 955 Sold in U.S. and Canada) (Feet not included) | 1 |
| 26C | 78-8073-7278-0 | HOUSING, Lamp (Model 955 Sold Outside U.S. and Canada) (Includes feet) | 1 |
| 27 | 78-6969-7794-7 | FOOT KIT (4 feet and screws) | 1 |
| 28 | Not Used | | |
| 29 | 78-8064-1624-0 | JUMPER, Switch | 2 |
| 30 | 26-1006-7884-1 | SCREW, Pan Head, Phillips, 4-24 X 5/8" | 4 |
| 31 | 78-8064-1570-5 | SWITCH, Micro (On/Off and Lamp Changer) | 2 |

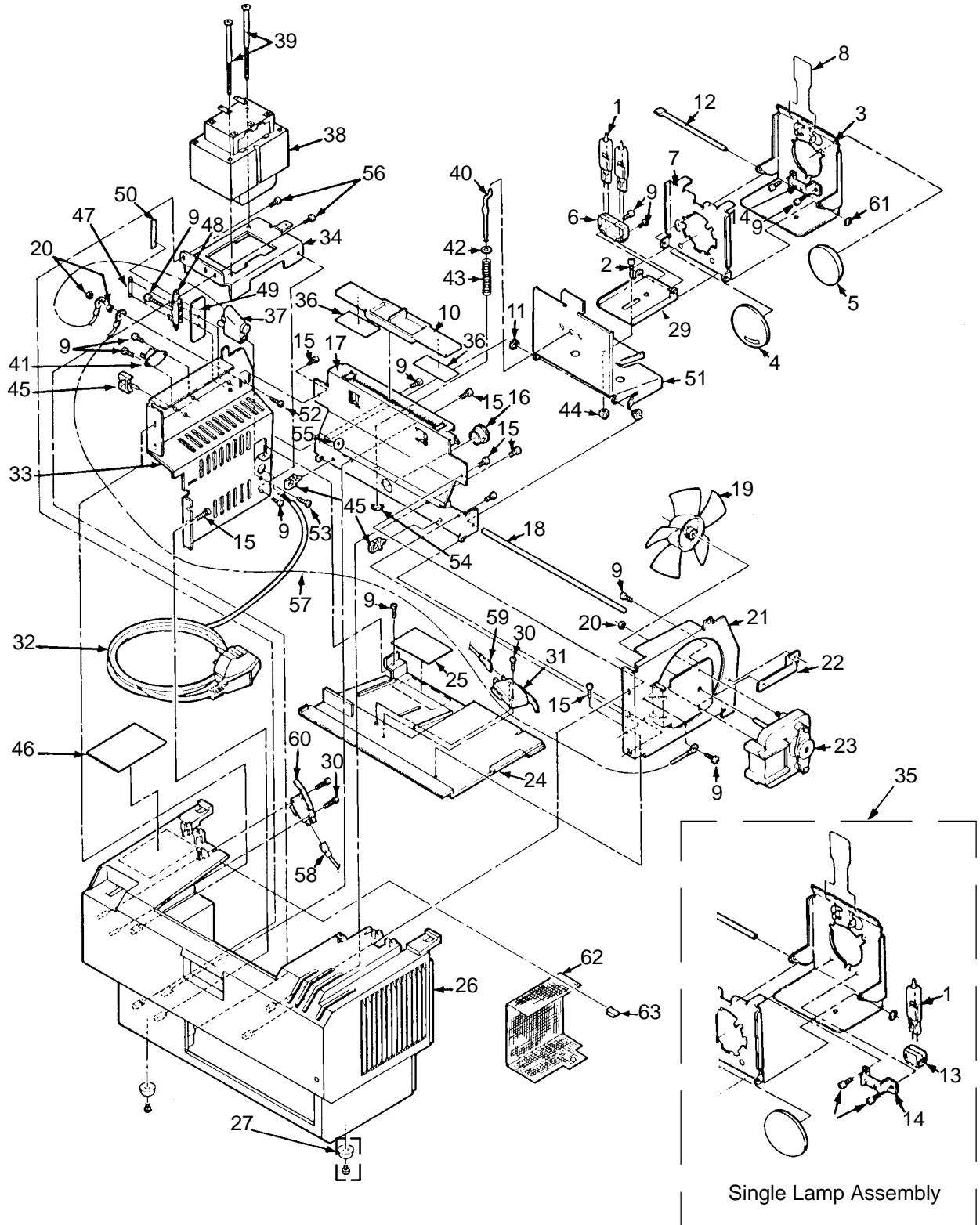
Section 9
LAMP HOUSING ASSEMBLY
(DUAL ENX LAMP – 908, 910, 920, & DUAL FXL LAMP - 955) (Continued)

| Item No. | Part Number | Description | Qty |
|----------|----------------|--|-----|
| 32A | 78-8064-1500-2 | POWER CORD, U.S. & Canada | 1 |
| 32B | Not Available | POWER CORD, United Kingdom (Model 955) | 1 |
| 32C | Not Available | POWER CORD, European (Model 955) | 1 |
| 32D | Not Available | POWER CORD, Australia (Model 955) | 1 |
| 32E | Not Available | POWER CORD, New Zealand (Model 955) | 1 |
| 32F | Not Available | POWER CORD, Hong Kong (Model 955) | 1 |
| 32G | 78-8073-7272-3 | POWER CORD (Model 955) (Without Plug) | 1 |
| 32H | 78-8073-7271-5 | POWER CORD, Philippines (Model 955) | 1 |
| 32I | Not Available | POWER CORD, South Africa (Model 955) | 1 |
| 33 | 26-1005-6802-6 | HOUSING, 1 Position Receptacle, Natural Nylon | 1 |
| 34 | 26-1006-3610-4 | HOUSING, 1 Position Receptacle, Black Nylon | 1 |
| 35 | 26-1003-3716-6 | SCREW, Pan Head, Phillips, 6-19 x 1" | 1 |
| 36A | 78-8064-1493-0 | BRACKET, Cooling (Models 908, 910, 920) | 1 |
| 36B | 78-8073-7260-8 | BRACKET, Cooling (Model 955, U.S. and Canada) | 1 |
| 36C | 78-8073-7303-6 | BRACKET, Cooling (Model 955, Outside U.S. and Canada) | 1 |
| 37 | DY-1160-2020-6 | STRAIN RELIEF | 1 |
| 38 | 78-8064-1891-5 | DIODE KIT (Kit includes diode with screw) | 1 |
| 39 | 26-1006-5053-5 | WASHER, Lock, External Tooth, #8 | 1 |
| 40 | 26-1002-6213-3 | SCREW, Pan Head, Phillips, M4 x 0.7 x 20 | 1 |
| 41 | 78-8064-1535-8 | THERMOSTAT, Safety | 1 |
| 42 | 78-8033-1666-6 | CLIP, Tinnerman | 1 |
| 43 | 78-8064-1708-1 | JUMPER, Resistor | 1 |
| 44 | 78-8011-1198-6 | RESISTOR | 1 |
| 45 | 26-1008-0231-8 | CLIP/CLAMP, Electrical | 2 |
| 46A | 78-8064-1626-5 | LABEL, Lamp Replacement, ENX | 1 |
| 46B | 78-8073-6953-9 | LABEL, Lamp Replacement, FXL (Model 955) | 1 |
| 47 | 78-8064-1771-9 | HEAT SHIELD | 2 |
| 48 | 78-8073-7212-9 | SWITCH, High/Low (Model 955 only) | 1 |
| 49 | 78-8064-1624-0 | JUMPER, Switch (Model 955 only) | 1 |
| 50 | 26-1002-5277-9 | SCREW, Pan Head, Phillips, 8-32 x 3/8 (Model 955 only) | 1 |
| 51A | 78-8073-7205-3 | TRANSFORMER, 120 Volt Input (Model 955 only) | 1 |
| 51B | 78-8073-6958-8 | TRANSFORMER, 230/240 Volt Input (Model 955 only) | 1 |
| 51C | 78-8073-7280-6 | TRANSFORMER, 200 Volt Input (Model 955 only) | 1 |
| 52 | Not Available | GROUND, Transformer (Model 955 only) | 1 |
| 53 | 26-1005-7751-4 | NUT, Hex, Reg, 8-32 (Model 955 only) | 1 |
| 54 | 78-8073-7287-1 | JUMPER, Interlock (if equipped) to Thermostat (Model 955 Outside U.S.) | 1 |
| 55 | 78-8073-7286-3 | JUMPER, Interlock to Fuse (if equipped) (Model 955 Outside U.S.) | 1 |
| 56 | 78-8073-7285-5 | JUMPER, Resister (Model 955 only, U.S. and Canada) | 1 |
| 57 | 78-8073-7282-2 | BRACKET, Resister (Model 955 only, U.S. and Canada) | 1 |
| 58 | 78-8073-7281-4 | RESISTOR, 0.5 Ohm (Model 955 only, U.S. and Canada) | 1 |
| 59 | 78-8015-5038-1 | SWITCH, Interlock (Model, M955, Outside U.S. and Canada) | 1 |

Section 9
LAMP HOUSING ASSEMBLY
(DUAL ENX LAMP - 908, 910, 920, & DUAL FXL LAMP - 955) (Continued)

| Item No. | Part Number | Description | Qty |
|----------|----------------|---|-----|
| 60 | 78-8073-7262-4 | INSULATOR, Fuse Block (Model M955, outside U.S. and Canada) | 1 |
| 61 | Not Used | | |
| 62 | 26-1002-5092-2 | SCREW, 6-32 X 3/8 Long, (Model 955 only, U.S. and Canada) (Not Shown) | 1 |
| 63 | 78-8073-7285-5 | SCREW, 6-32 X 1 1/2 Long, (Model 955 only, U.S. and Canada) | 1 |
| 64 | 26-1005-9599-5 | FUSE (Model 955 only, outside U.S. and Canada) | 1 |
| 65 | 26-1005-6624-4 | FUSE HOLDER (Model 955 only, outside U.S. and Canada) | 1 |
| 66 | 78-8073-7261-6 | BRACKET, Actuator Switch | 1 |
| 67 | 78-8003-8335-4 | TIE WRAP, Panduit (Not Shown) | 2 |

Section 10
LAMP HOUSING ASSEMBLY
(FNT SINGLE AND DUAL LAMP)



Section 10
LAMP HOUSING ASSEMBLY
(FNT SINGLE AND DUAL LAMP)

| Item No. | Part Number | Description | Qty |
|----------|----------------|--|-----|
| 1A | 78-8054-1175-4 | LAMP, FNT, 24 Volt, 275 Watts | 1 |
| 1B | DY-8054-1175-7 | LAMP, FNT, 24 Volt, 275 Watts, European | 1 |
| 2 | 26-1002-5215-9 | SCREW, Machine, 6/32 X 5/16" | 1 |
| 3A | 78-8064-1614-1 | BRACKET, Lens, FNT | 1 |
| 3B | 78-8073-6992-7 | BRACKET, Lens, FNT (United Kingdom school version) | 1 |
| 4A | 78-8054-1073-1 | REFLECTOR | 1 |
| 4B | DY-8054-1073-4 | REFLECTOR, European | 1 |
| 5 | 78-8073-7010-7 | LENS, Condenser | 1 |
| 6 | 78-8064-1707-3 | SOCKET, Dual, FNT | 1 |
| 7 | 78-8064-1616-6 | HOLDER, Reflector, FNT | 1 |
| 8 | 78-8079-9053-2 | SPRING, Catch | 1 |
| 9 | 26-1007-1061-0 | SCREW, Pan Head, Phillips, M3.5 X .06 X 10 | 12 |
| 10 | 78-8064-1589-5 | KNOB, Lamp Changer | 1 |
| 11 | 78-8000-8621-3 | BEARING, Plain, Nylon | 2 |
| 12 | 78-8064-1652-1 | SHAFT, Lamp, FNT | 1 |
| 13 | 78-8064-1574-7 | SOCKET, Single Lamp, FNT | 1 |
| 14 | 78-8064-1717-2 | BRACKET, Lamp Socket | 1 |
| 15 | 26-1002-4948-6 | SCREW, Pan Head, Phillips, 6-19 X 5/16" | 8 |
| 16A | 26-1001-8006-1 | PLUG, Single Lamp Holder | 1 |
| 16B | 78-8003-8731-4 | BUSHING, Dual Lamp Holder | 1 |
| 17 | 78-8064-1586-1 | BRACKET, Lamp Changer | 1 |
| 18 | 78-8064-1598-6 | SHAFT, Lamp Changer | 1 |
| 19 | 78-8064-1532-5 | FAN | 1 |
| 20 | 18-1728-1516-1 | NUT, Machine, Hex, 6-32 X 1/4" | 2 |
| 21 | 78-8064-1492-2 | BRACKET, Fan | 1 |
| 22 | 78-8064-1604-2 | BRACKET, Fan Support | 1 |
| 23A | 78-8064-1571-3 | MOTOR, 100 Volt | 1 |
| 23B | 78-8064-1550-7 | MOTOR, 120 Volt | 1 |
| 23C | 78-8064-1551-5 | MOTOR, 230 Volt | 1 |
| 24A | 78-8064-1867-5 | SHELF, Lamp Housing, FNT (Before serial number 724815) | 1 |
| 24B | 78-8064-1867-5 | SHELF, Lamp Housing, FNT (After serial number 724815) | 1 |
| 25 | 78-8064-1655-4 | SHIELD, Heat | 2 |
| 26 | 78-8064-1865-9 | HOUSING, Lamp, Dark Grey (Feet not included) | 1 |
| 27 | 78-6969-7794-7 | FOOT KIT (4 Feet and Screws) | 1 |
| 28 | Not Used | | |
| 29 | 78-8064-1647-1 | HOLDER, Slide | 1 |
| 30 | 26-1006-7884-1 | SCREW, Pan Head, Phillips, 4-24 X 5/8" | 3 |
| 31 | 78-8064-1570-5 | SWITCH, Micro (On/Off and Lamp Changer) | 2 |

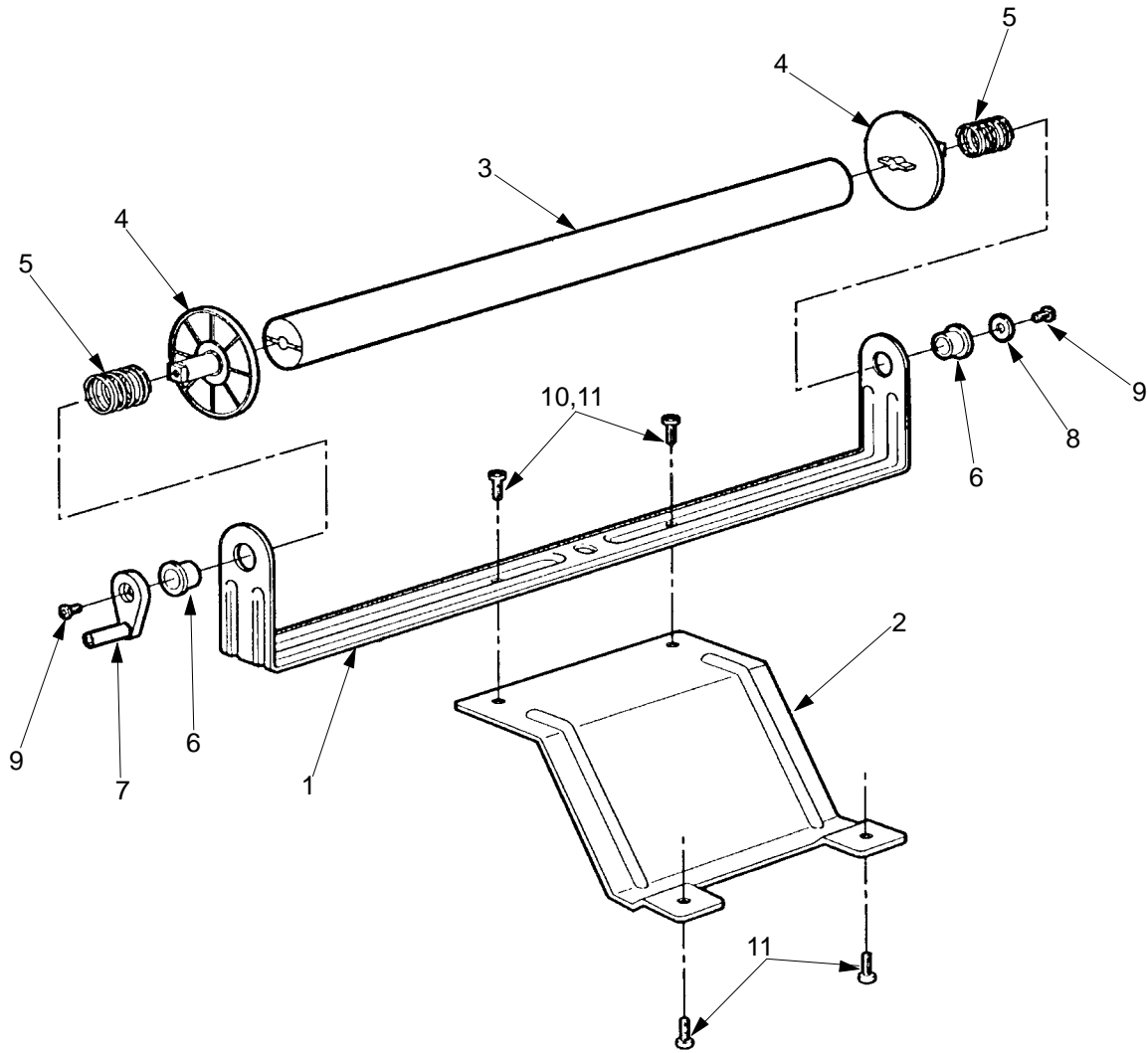
Section 10
LAMP HOUSING ASSEMBLY
(FNT SINGLE AND DUAL LAMP) (Continued)

| Item No. | Part Number | Description | Qty |
|----------|----------------|---|-----|
| 32A | 78-8064-1542-4 | POWER CORD, Australian 10' | 1 |
| 32B | 78-8064-1541-6 | POWER CORD, Australian 15' | 1 |
| 32C | 78-8064-1538-2 | POWER CORD, European 10' | 1 |
| 32D | 78-8064-1537-4 | POWER CORD, European 15' | 1 |
| 32E | 78-8064-1635-6 | POWER CORD, Hong Kong 10' | 1 |
| 32F | 78-8064-1634-9 | POWER CORD, Hong Kong 15' | 1 |
| 32G | 78-8064-1816-2 | POWER CORD, 10' International, 120 V | 1 |
| 32H | 78-8064-1817-0 | POWER CORD, 15' International, 120V | 1 |
| 32I | 78-8064-1813-9 | POWER CORD, Japan 10' | 1 |
| 32J | 78-8064-1812-1 | POWER CORD, Japan 15' | 1 |
| 32K | 78-8064-1631-5 | POWER CORD, New Zealand 10' | 1 |
| 32L | 78-8064-1630-7 | POWER CORD, New Zealand 15' | 1 |
| 32M | 78-8064-1633-1 | POWER CORD, South Africa 10' | 1 |
| 32N | 78-8064-1632-3 | POWER CORD, South Africa 15' | 1 |
| 32O | 78-8064-1544-0 | POWER CORD, Swiss 10' | 1 |
| 32P | 78-8064-1543-2 | POWER CORD, Swiss 15' | 1 |
| 32Q | 78-8064-1540-8 | POWER CORD, United Kingdom 10' | 1 |
| 32R | 78-8064-1539-0 | POWER CORD, United Kingdom 15' | 1 |
| 33 | 78-8064-1607-5 | BRACKET, Cooling | 1 |
| 34 | 78-8064-1610-9 | BRACKET, Transformer | 1 |
| 35 | 78-8064-1706-5 | SINGLE LAMP ASSEMBLY, FNT | 1 |
| 36 | 78-8064-1771-9 | HEAT SHIELD, Lamp Changer Knob | 2 |
| 37 | DY-1160-2020-6 | STRAIN RELIEF | 1 |
| 38A | 78-8064-1711-5 | TRANSFORMER, 100 Volt | 1 |
| 38B | 78-8064-1815-4 | TRANSFORMER, 120 Volt | 1 |
| 38C | 78-8073-6998-4 | TRANSFORMER, 220 Volt (European from S/N 9.000.001) | 1 |
| 38D | 78-8064-1572-1 | TRANSFORMER, 220 Volt, U.S. | 1 |
| 38D | 78-8073-6966-1 | TRANSFORMER, 230 Volt | 1 |
| 38E | 78-8064-1573-9 | TRANSFORMER, 240 Volt | 1 |
| 38F | 78-8073-6999-2 | TRANSFORMER, 240 Volt (European from S/N 9.000.001) | 1 |
| 39 | 26-1005-0524-2 | SCREW, Pan Head, Thread | 2 |
| 40 | 78-8064-1762-8 | WIREFORM, Over Center | 1 |
| 41 | 78-8064-1765-1 | THERMOSTAT, Safety | 1 |
| 42 | 12-7991-1735-8 | WASHER, Plain, Type A | 1 |
| 43 | 26-1003-6487-1 | SPRING, Compression | 1 |
| 44 | 26-1005-8589-7 | NUT, X-Cap, Acorn | 1 |
| 45 | Not Available | CLIP/CLAMP, Electrical | 3 |
| 46 | 78-8064-1710-7 | LABEL, Lamp Replacement, FNT | 1 |
| 47 | 26-1005-9599-5 | FUSE, Cartridge, 5 Amp | 1 |
| 48 | 26-1005-6624-4 | FUSE HOLDER, 10A, 250V | 1 |
| 49 | 78-8064-1766-9 | FUSE INSULATOR | 1 |

Section 10
LAMP HOUSING ASSEMBLY - FNT SINGLE AND DUAL LAMP (Continued)

| Item No. | Part Number | Description | Qty |
|----------|------------------|--|-----|
| 50A | 78-8057-4184-6 | LABEL, Fuse Holder | 1 |
| 50B | 78-8073-6982-8 | LABEL, Fuse Replacement (United Kingdom school version) | 1 |
| 51 | 78-8073-7064-4 | CONDENSER KIT, Model 900 Australian (Not Shown) | 1 |
| 51 | 78-8064-1615-8 | BRACKET, Slide, FNT | 1 |
| 52 | Purchase Locally | SCREW, Machine, 6/32 | 2 |
| 53 | 26-1003-3716-6 | SCREW, Thread Form | 1 |
| 54 | Purchase Locally | RETAINING RING | 1 |
| 55 | 78-8656-4093-8 | RETAINING RING | 1 |
| 56 | 26-1007-5427-9 | SCREW, Thread Form, 6-19 | 3 |
| 57 | 78-8064-1792-5 | GROUND Lead | 1 |
| 58 | 78-8064-1708-1 | JUMPER, Switch to Fuse Holder | 1 |
| 59 | 78-8064-1709-9 | JUMPER, Lamp Changer | 1 |
| 60A | 78-8064-1790-9 | SWITCH, International | 1 |
| 60B | 78-8073-6986-9 | SWITCH (United Kingdom school version) | 1 |
| 61 | 78-8656-5801-3 | PUSH-ON-RING | 1 |
| 62 | 78-8073-6983-6 | SCREEN, Lamp Housing (United Kingdom school version) | 1 |
| 63 | 78-8073-6986-9 | CLIP, U-type | 1 |
| 64 | 12-7991-1506-3 | NUT, 5/16" | 1 |
| 65 | 78-8073-6986-9 | SLEEVE, Actuator (United Kingdom school version) (Not Shown) | 1 |

Section 11
ROLLER ATTACHMENT



Section 11
ROLLER ATTACHMENT

| Item No. | Part Number | Description | Qty |
|----------|----------------|---|-----|
| 1A | 78-8064-1794-1 | BRACKET ASSEMBLY, Roller 10 1/4" | 2 |
| 1B | 78-8064-1808-9 | BRACKET ASSEMBLY, Roller 11 1/4" (A4) | 2 |
| 2 | 78-8064-1582-0 | BRACE, Roller (Use only one for front to rear installation) | 2 |
| 3A | 78-8052-8348-4 | TAKE-UP ROLL 10 1/4" | 1 |
| 3B | 78-8052-8347-6 | TAKE-UP ROLL 11 1/4" (A4) | 1 |
| 4 | 78-8064-1801-4 | DRIVER SPINDLE | 4 |
| 5 | 78-8015-2206-7 | SPRING | 4 |
| 6 | 78-8161-4222-4 | BEARING | 4 |
| 7 | 78-8064-1802-2 | CRANK | 2 |
| 8 | 12-7991-1737-4 | WASHER, Plain, Zinc Plate, #8 | 2 |
| 9 | 26-1002-5091-4 | SCREW, Taptite, Pan Head, Phillips, 6-32 X 1/4" | 4 |
| 10 | 26-1007-5427-9 | SCREW, Plastite, Pan Head, Phillips, 6-19 X 3/8" (See Note 1) | 2 |
| 11 | 26-1005-7800-9 | SCREW, Taptite, Metric, Thread Form, Pan Head, Phillips, M3.5 X 0.6 X 8 | 8 |

Note 1. Use for a side-to-side installation with the second bracket.

Appendix A
FIELD UPDATE KITS

| Purpose | Description | Notes | Part Numbers |
|--|----------------------|---|---------------------|
| Increase lamp life in all 120 Volt M900's (except the M955). | 1.2 Ohm Resistor Kit | Installed in Model 905D, 905W, & 908s after S/N 903095, but can be installed in all other 120V M900s except the M955. | 78-6969-7934-9 |
| Increase lamp life in 220/240V 900s (except the M955). | Resistor Kit | | 78-8064-1832-9 |
| Increase lamp life in the M955. | Resistor Kit | Installed in M955s after S/N 809375. | 78-8073-7302-8 |



3M Visual Systems Division

6801 River Place Boulevard
Austin, Texas 78726-9000



*Printed on 50% recycled
waste paper, including 10%
post-consumer waste paper.*

Printed in U.S.A.

© 3M 6/96 78-6970-4941-5 Rev. B